



iL9x

LED Lighting Solution

MODEL: 2.6

WATTS: 1000W

VOLTAGE: 100-277V

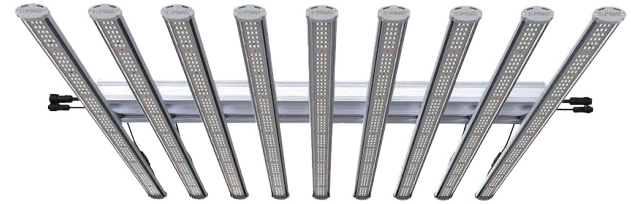
200-480V

SKU: IL-9x26FSG-120

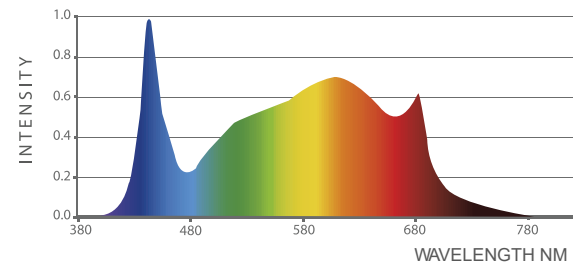
IL-9x26FSG-480

TECHNICAL SPECS

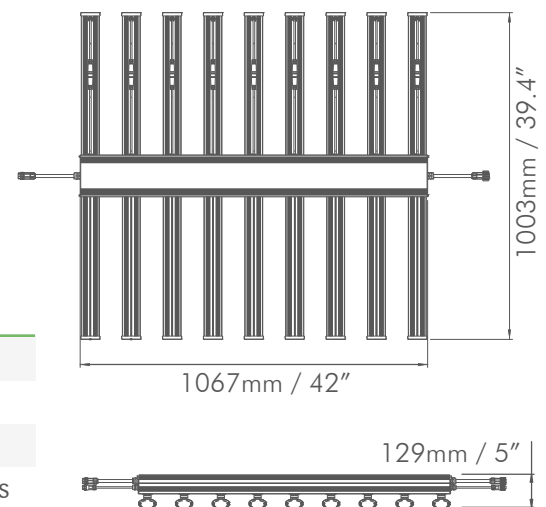
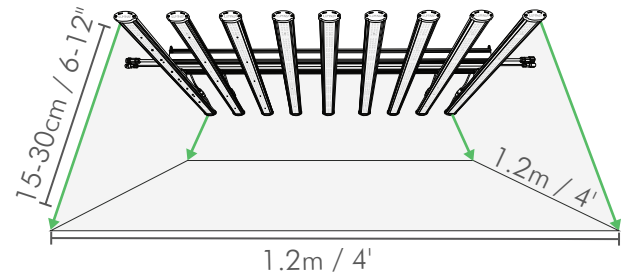
Rated Mains Voltage	120-277V AC	347-480V AC
Voltage Range (+/-10%)	200-480V	200-480V
PPF	2600 $\mu\text{mol/s}$	
Efficacy	2.6 $\mu\text{mol/J}$	
Input Current	27.60A	
Input Power	1000W	
Output Voltage	33	
Output Power	910.8W	
Min Power Factor	0.9	
THD	< 20%	
Crest Factor	0.99	
BTU	3400	
Mains Frequency	50 / 60Hz	
Dimming Type	0-10V Controllable	
Dimmable	10 V-Source	
Ambient Temperature	-20..+45°C	
Max. Temperature	75°C/167°F	
Relative Humidity	98%	
Color Temperature	4000k	
Color Rendering Index	88	
Finishing Mounting Height	6-12" to top of Canopy	
Emitter Cooling	Passive / Extruded Case	
Light Distribution +/- 5%	125°	
Waterproof Rating	IP65 for Damp/Wet Conditions	
LED Lifespan (90% of Life)	55,000+ hours	



iL9x LED SPECTRUM



MOUNTING & COVERAGE



VOLTAGE AND AMPERAGE

120V	8.5A	1018W
208V	4.86A	1001W
240V	4.21A	994W
277V	3.64A	985W
347V	2.95A	1015W
480V	2.12A	990W

PHYSICAL SPECIFICATIONS

Length	1067mm	42.01"
Width	1003mm	39.49"
Height	129mm	5.08"
Weight	18.58kg	40.96lbs

iluminarlighting.com
Toll Free: 1-877-540-5588

5 YEAR
WARRANTY



© Copyright 2020 ILUMINAR Lighting
Subject to change without notice.