



iL5xc

LED Lighting Solution

MODEL: 2.6

WATTS: 330W

VOLTAGE: 100-277V

200-480V

SKU: IL-5xc26FSG-120

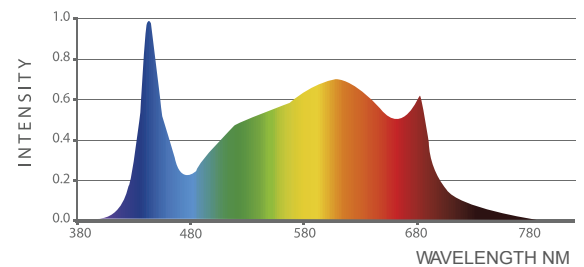
IL-5xc26FSG-480

TECHNICAL SPECIFICATIONS

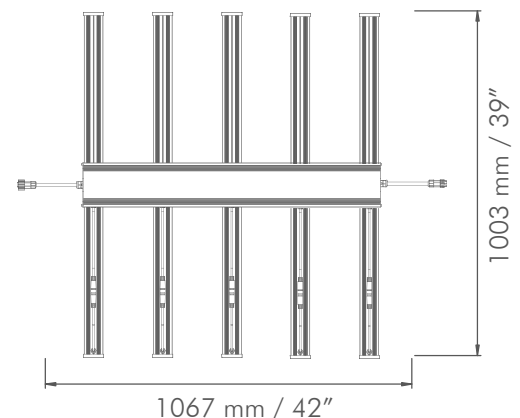
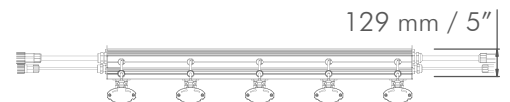
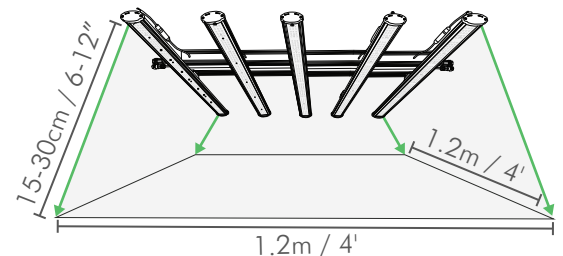
PFF	858 $\mu\text{mol/s}$
Efficacy	2.6 $\mu\text{mol/J}$
Input Current	9.20A
Input Power	330W
Output Voltage	33V
Output Power	303.6W
Min Power Factor	0.9
THD	< 20%
Crest Factor	0.99
BTU	1128
Rated Mains Voltage	120-277V AC / 347-480V AC
Mains Frequency	50 / 60Hz
Dimmable	0-10V Controllable
Ambient Temperature	-20..+45°C
Max. Temperature	75°C/167°F
Relative Humidity	98%
Plug Type	Power Cord Sold Separately
Color Temperature	4000k
Color Rendering Index	88
Finishing Mounting Height	6"-12" to top of Canopy
Emitter Cooling	Passive / Extruded Case
Light Distribution +/- 5%	125°
Waterproof Rating	IP65 for Damp/Wet Conditions
LED Lifespan (90% of Life)	55,000+ hours



iL5xc 330W LED SPECTRUM



MOUNTING & COVERAGE



DAISY CHAIN SPECIFICATIONS

Up to 4 iL5xc fixtures can be connected in a series at 120V.

Up to 8 iL5xc fixtures can be connected in a series at 277V.

VOLTAGE AND AMPERAGE

120V	2.85A	341W
208V	1.63A	335W
240V	1.41A	332W
277V	1.22A	330W
347V	0.99A	340W
480V	0.71A	331W

PHYSICAL SPECIFICATIONS

Length	1067mm	42.01"
Width	1003mm	39.49"
Height	129mm	5.08"
Weight	13.5kg	29.76lbs

iluminarlighting.com
Toll Free: 1-877-540-5588

5 YEAR
WARRANTY



© Copyright 2020 ILUMINAR Lighting
Subject to change without notice.