



iL1c

LED Lighting Solution

VOLTAGE: 100-277V

MODEL: 2.6 WATTS: 330W

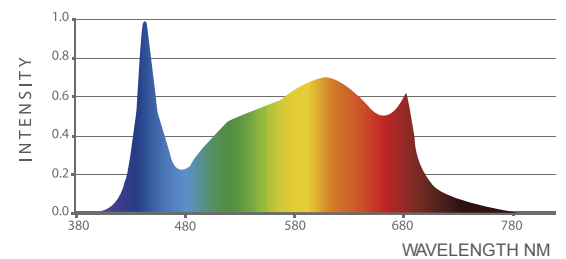
SKU: IL-A133026-FSG-120



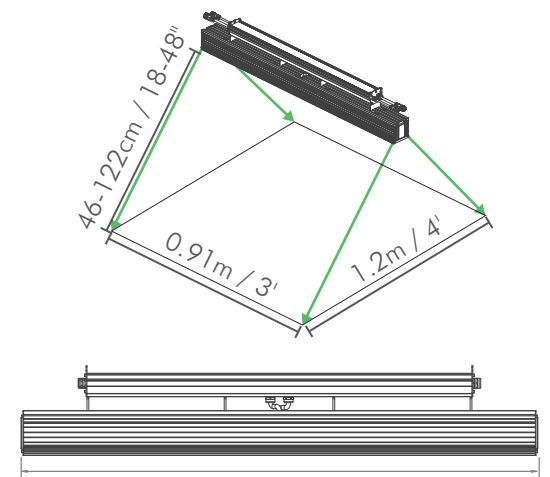
TECHNICAL SPECIFICATIONS

PPF	858 $\mu\text{mol/s}$
Efficacy	2.6 $\mu\text{mol/J}$
Input Current	9.20A
Output Power	303.6W
Output Voltage	33
Min Power Factor	>0.9
THD	<20%
Crest Factor	0.99
Heat Output (BTU/h)	1122
Rated Mains Voltage	120-277V AC
Voltage Range (+/-10%)	100-277V
Mains Frequency	50 / 60Hz
Dimmable	0-10V Controllable
Ambient Temperature	-20..+45°C
Max. Temperature	75°C/167°F
Relative Humidity	98%
Plug Type	Power Cord Sold Separately
Color Temperature	4000k
Color Rendering Index	88
Finishing Mounting Height	18-48" to top of Canopy
Emitter Cooling	Passive Thermal Management
Light Distribution +/- 5%	125°
Waterproof Rating	iP65 for Damp/Wet Conditions
LED Lifespan (90% of Life)	54,000+ hours

iL1c 330W LED SPECTRUM



MOUNTING & COVERAGE



1000mm / 39.38"

VOLTAGE AND AMPERAGE

120V	2.85A	341W
208V	1.63A	335W
240V	1.41A	332W
277V	1.22A	330W
347V	0.99A	340W
480V	0.71A	331W

PHYSICAL SPECIFICATIONS

Length	1000mm	39.38"
Width	129mm	5.1"
Height	200mm	7.9"
Weight	8.3kg	18.3lbs

